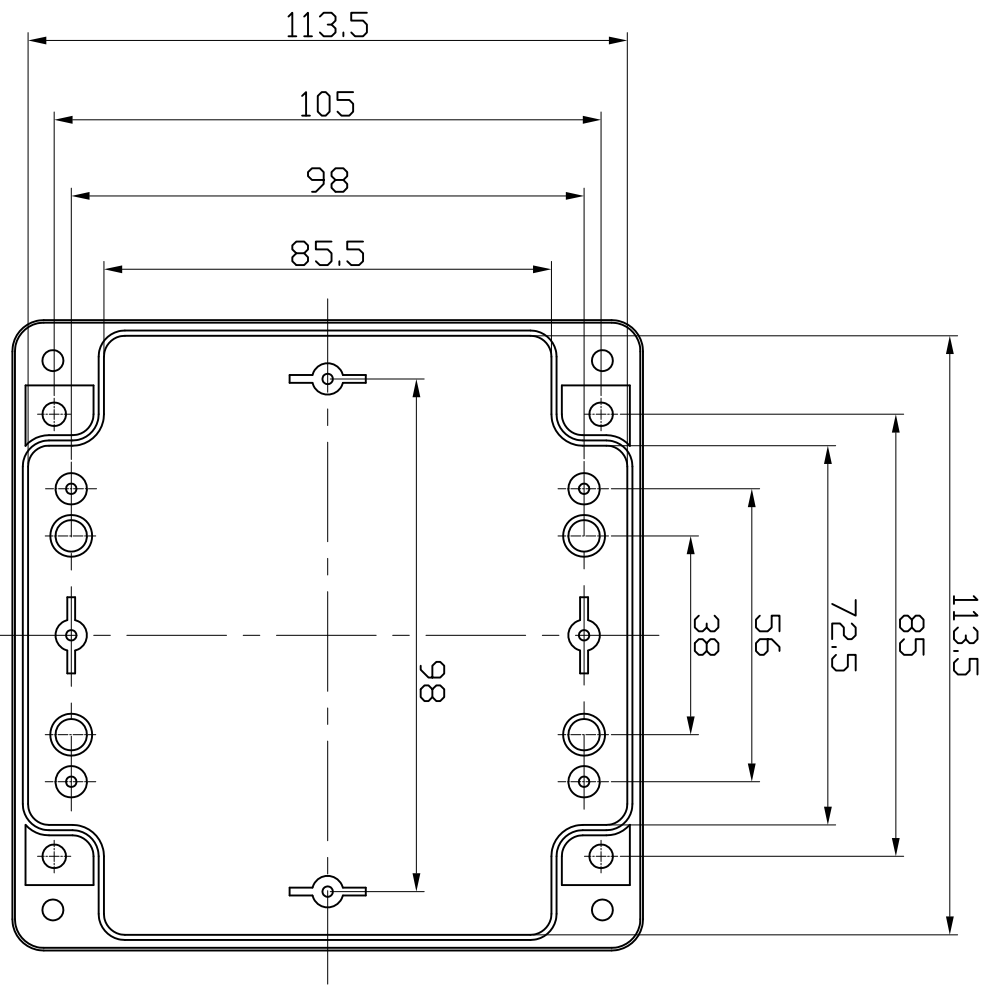
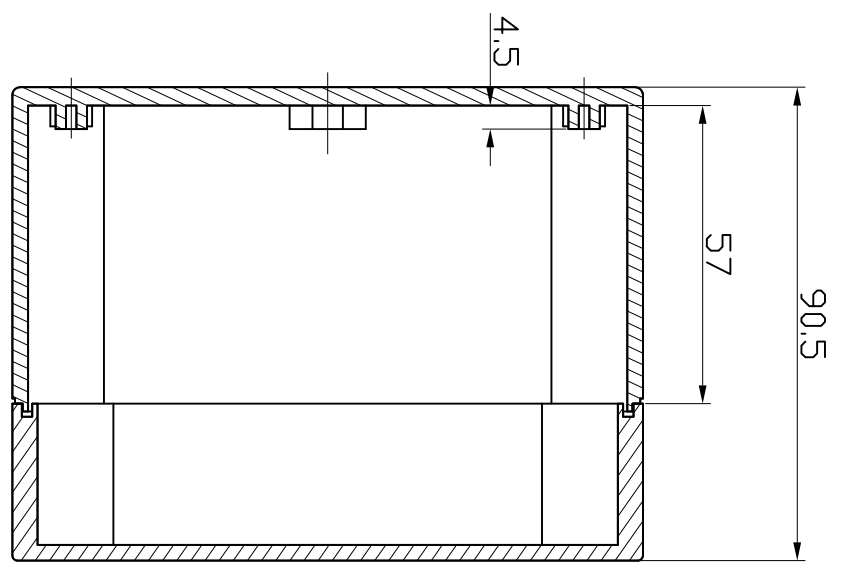


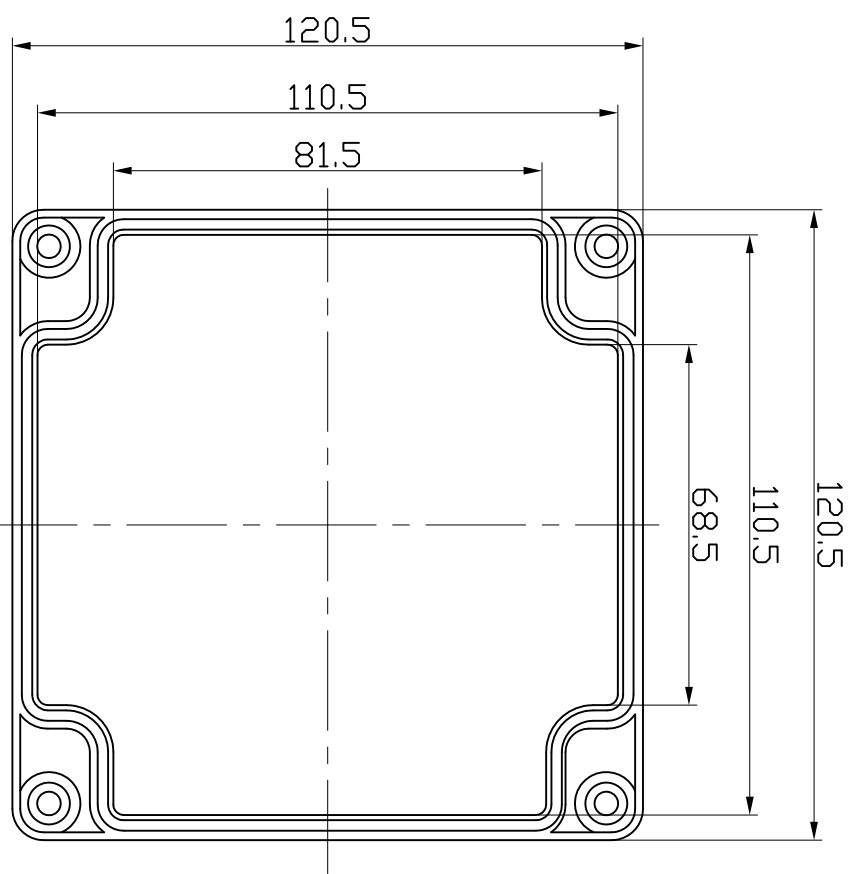
PROPRIETARY INFORMATION				REVISIONS					
THIS DRAWING IS THE PROPERTY OF REICON ENCLOSURES. DISCUSSURE OR REPRODUCTION OF THE INFORMATION ON THIS DRAWING IS PROHIBITED WITHOUT PRIOR WRITTEN CONSENT OF REICON ENCLOSURES.				E.C.O.	ZONE	REV.	DESCRIPTION	DATE	BY



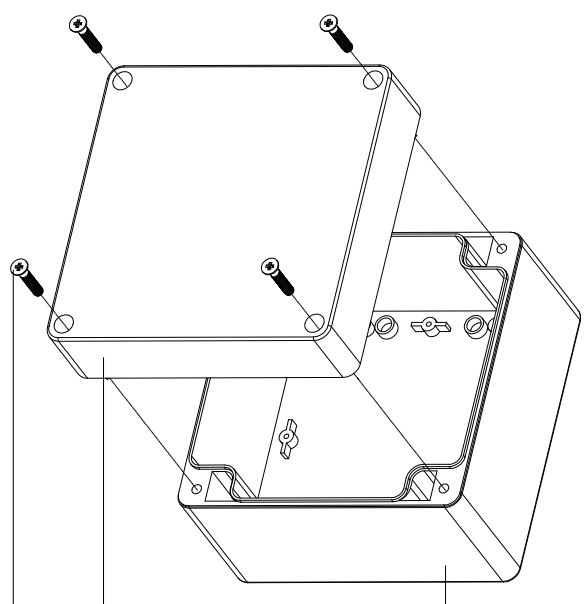
Top view with removed cover



Section view of ASM.



Inside view of Cover



Base
Cover
Screw(M4 X20)

Technical data

IP Rating: IP65 (IEC-60529)
IK Rating: IK07 (EN-50102)
Temperature Range: -20°C—70°C
Flamability: UL 94-HB

MATERIAL		APPROVALS		DATE	
ABS		DRAWN			
COLOR		CHECKED			
BEIGE		CUSTOMER			
http://www.reicon.com.cn		北京瑞康华泰电子设备有限公司 BEIJING REICON ELECTRONICS EQUIPMENT CO.,LTD.			
DO NOT SCALE DRAWING 部分图元可能未按比例绘制		THIS DRAWING IS ONLY FOR YOUR REFERENCE 图上尺寸仅供参考，请以实际产品为准		DIMENSIONS ARE IN MM	
DWG. NO. 01.059A		HAND-HELD ENCLOSURE		REV.	
PROJECTION TYPE				SHEET 1 OF 1	
SIZE A2					