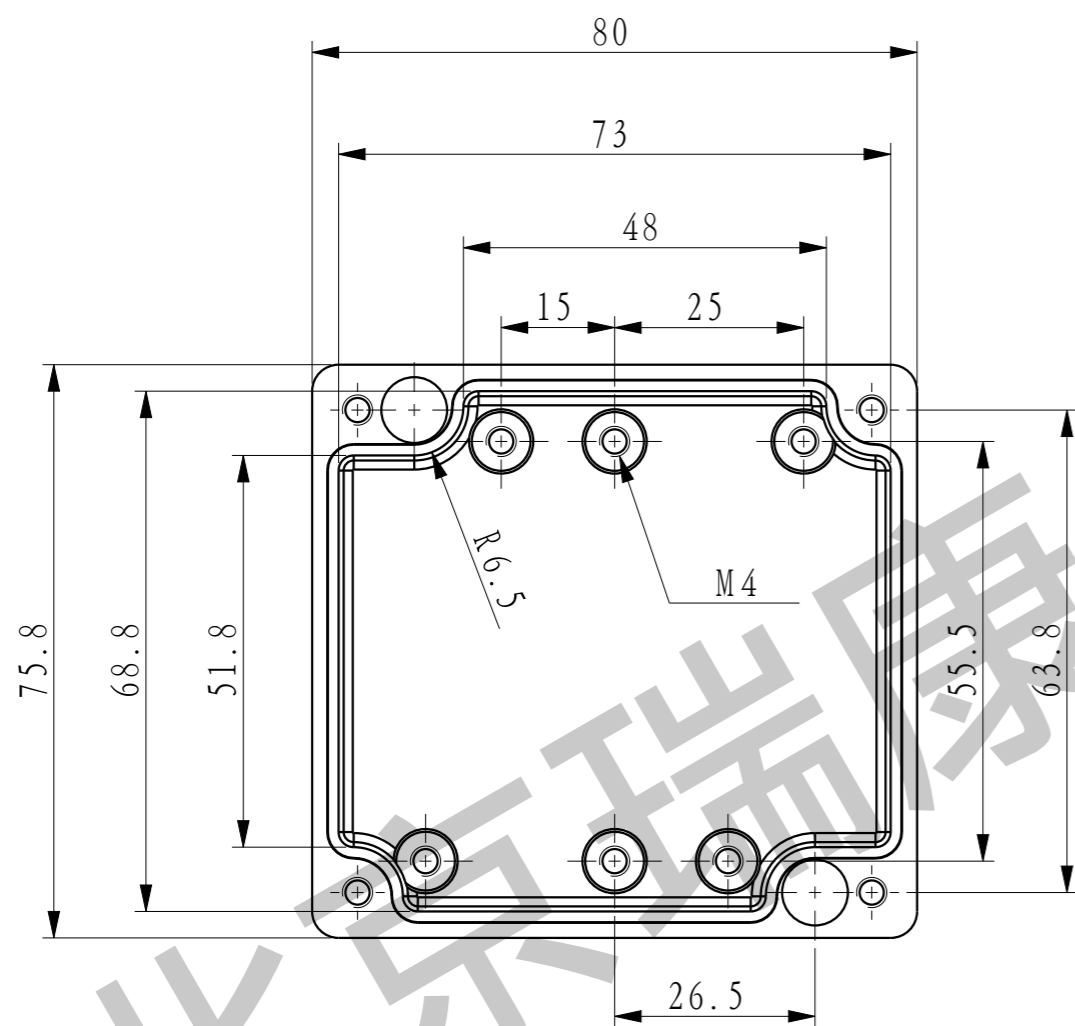
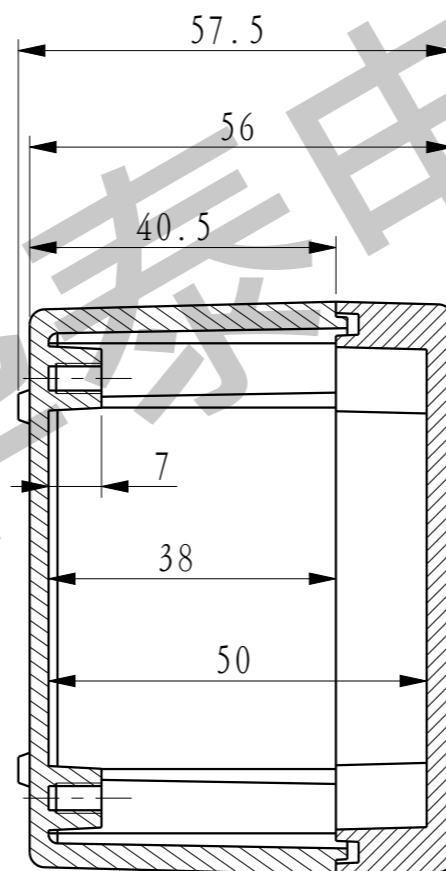


PROPRIETARY INFORMATION
 THIS DRAWING IS THE PROPERTY OF REICON ENCLOSURES.
 DISCLOSURE OR REPRODUCTION OF THE INFORMATION ON
 THIS DRAWING IS PROHIBITED WITHOUT PRIOR WRITTEN
 CONSENT OF REICON ENCLOSURES.

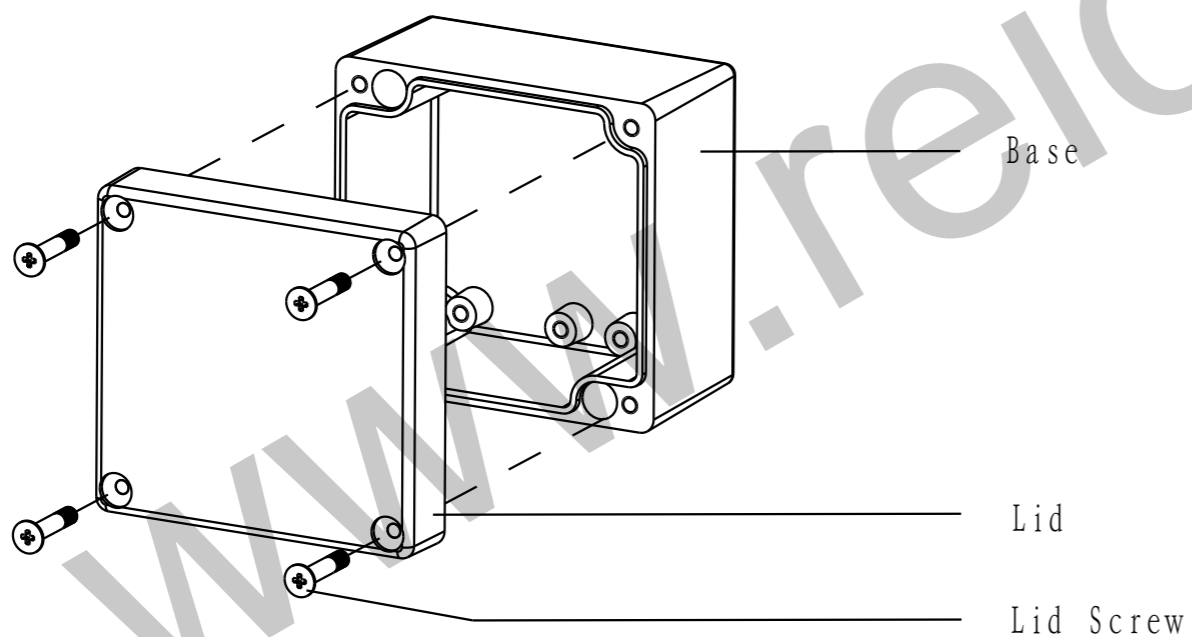
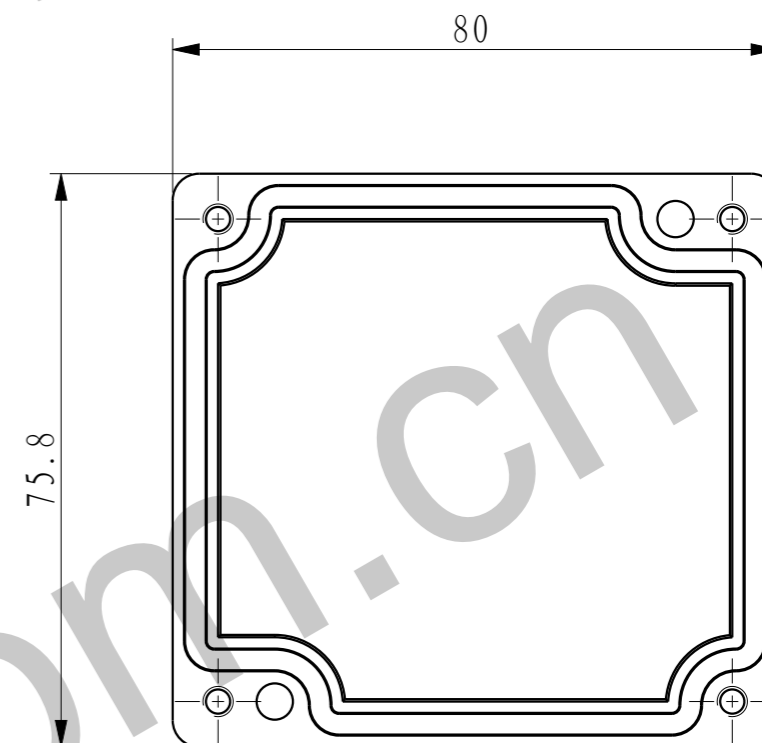
1			REVISIONS		
E.C.O.	ZONE	REV.	DESCRIPTION	DATE	BY



Top View With Removed lid



Section View of ASM.



http://www.reicon.com.cn	MATERIAL AlSi12	APPROVALS DRAWN	DATE	北京瑞康华泰电子设备有限公司 ReIcon BEIJING REICON ELECTRONICS EQUIPMENT CO., LTD.
	COLOR Grey	CHECKED		
DO NOT SCALE DRAWING 部分图元可能未按比例绘制	THIS DRAWING IS ONLY FOR YOUR REFERENCE 图上尺寸仅供参考, 请以实际产品为准	CUSTOMER	TITLE Sealed Aluminum Box	
DIMENSIONS ARE IN MILLIMETER		DWG. NO. 04.005A	REV.	
		PROJECTION TYPE	SHEET 1 OF 1	SIZE A3