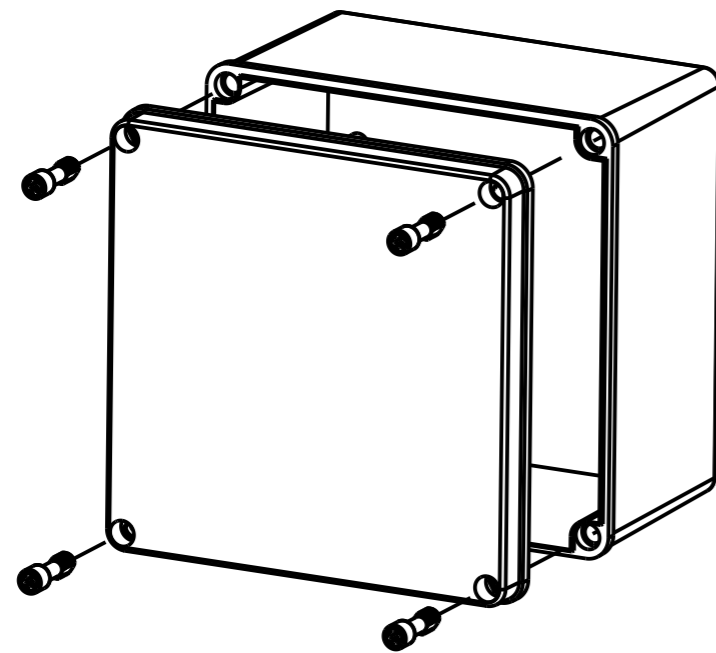
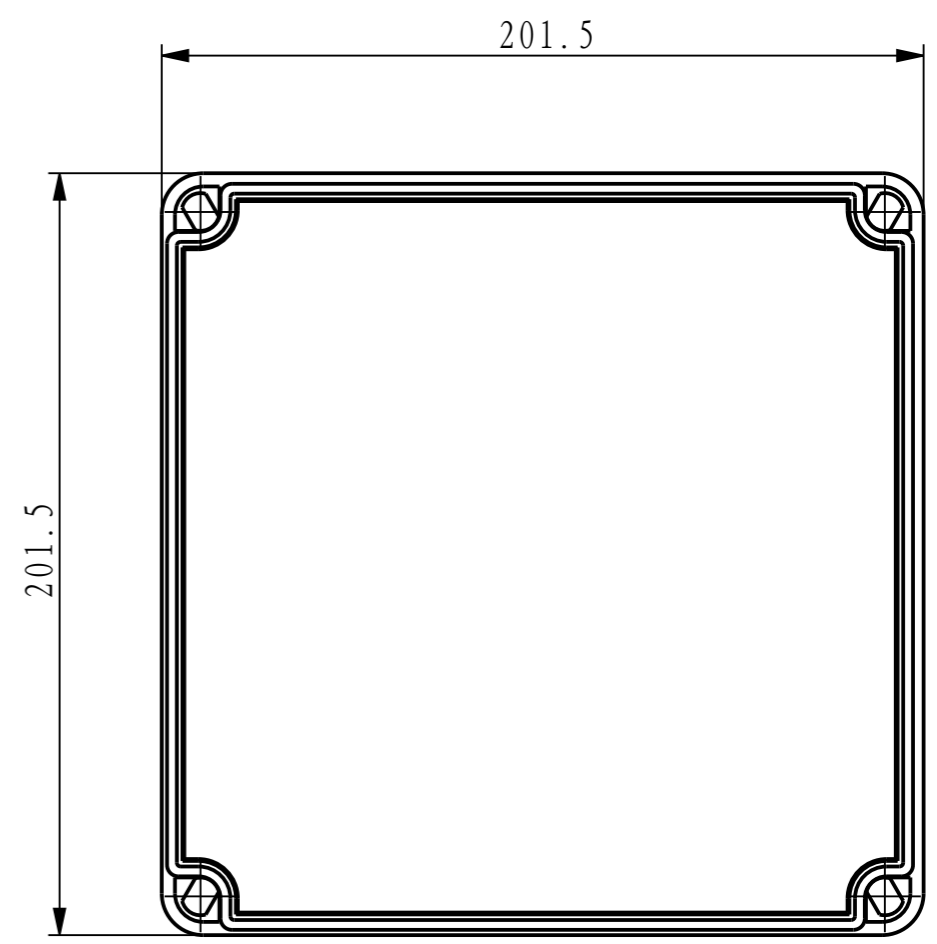
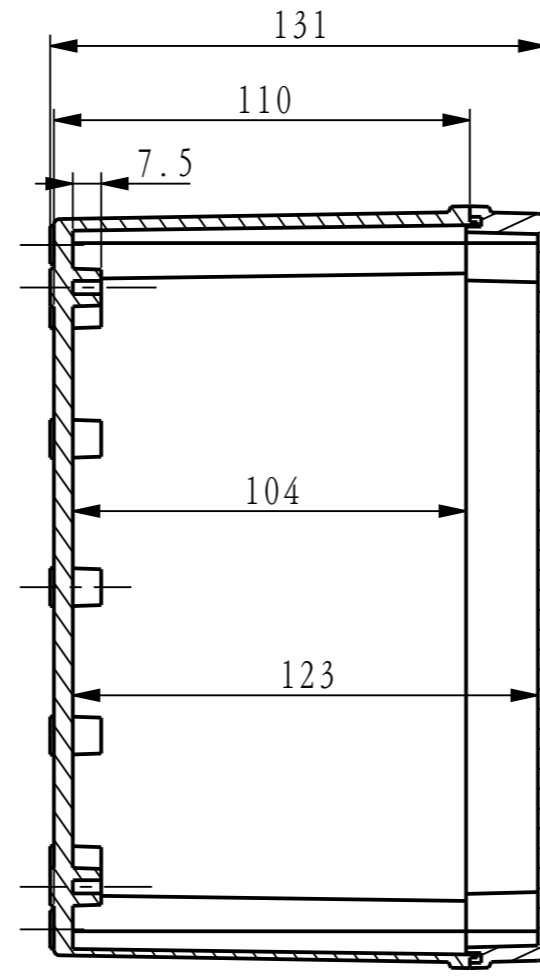
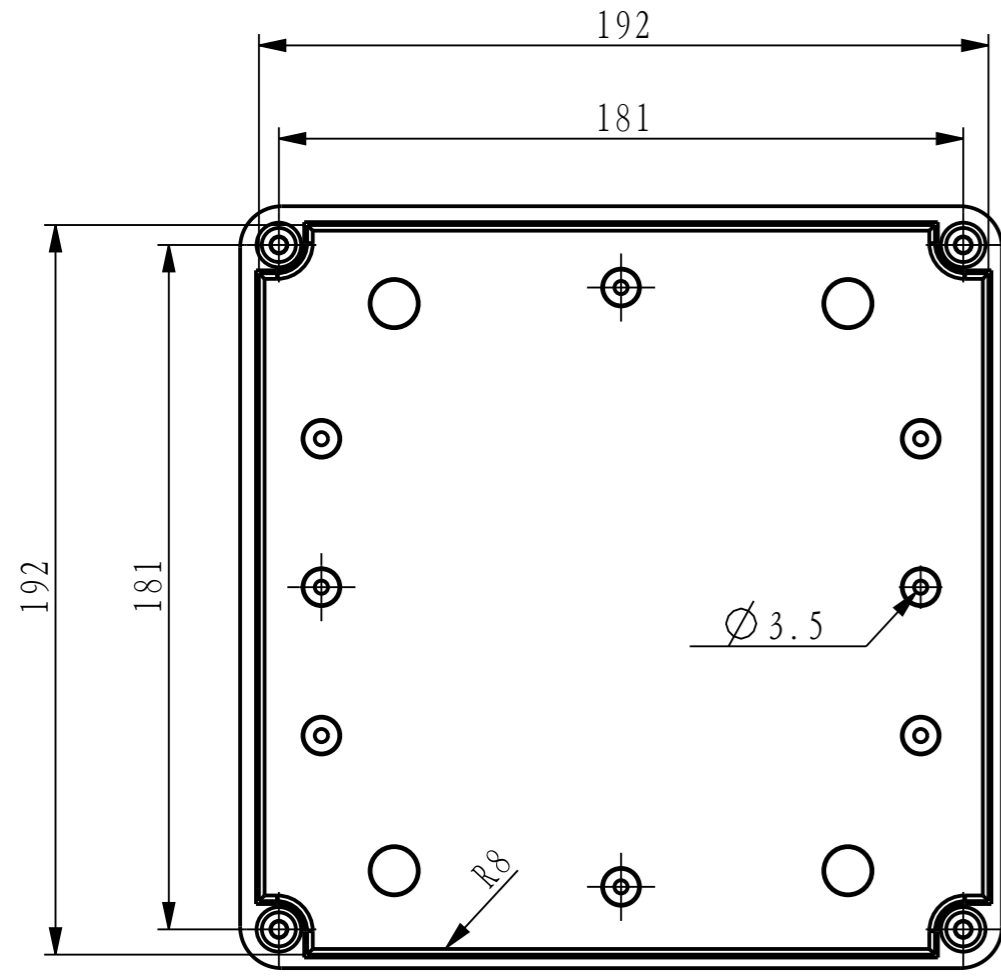


PROPRIETARY INFORMATION				REVISIONS		
THIS DRAWING IS THE PROPERTY OF BOXTECH ELECTRICAL. DISCLOSURE OR REPRODUCTION OF THE INFORMATION ON THIS DRAWING IS PROHIBITED WITHOUT PRIOR WRITTEN CONSENT OF BOXTECH ELECTRICAL.	NO.	DATE	REV.	DESCRIPTION	DATE	BY



BOXTECH®	MATERIAL	APPROVALS	DATE	重庆博斯泰克电气有限公司 ChungKing BoxTech Electrical Co.,
	COLOR	CUSTOMER	TITLE	
DO NOT SCALE DRAWING 部分图元可能未按比例绘制尺寸仅供参考，请以实际产品为准	THIS DRAWING IS ONLY FOR YOUR REFERENCE	DIMENSIONS ARE IN MILLIMETER		DWG. NO. 01.015A
				PROJECTION TYPE

REV.	SHEET 1 OF 1	SIZE A3
------	--------------	---------