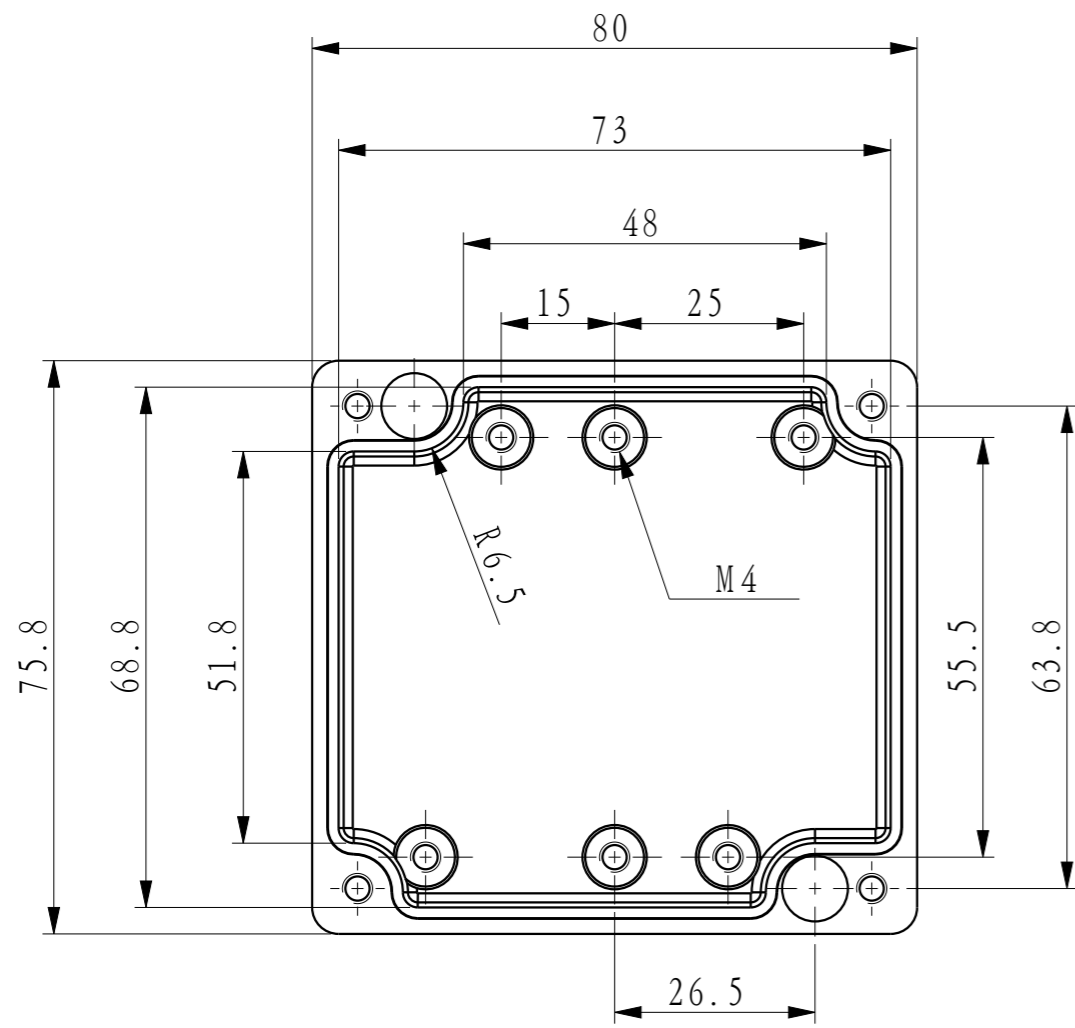
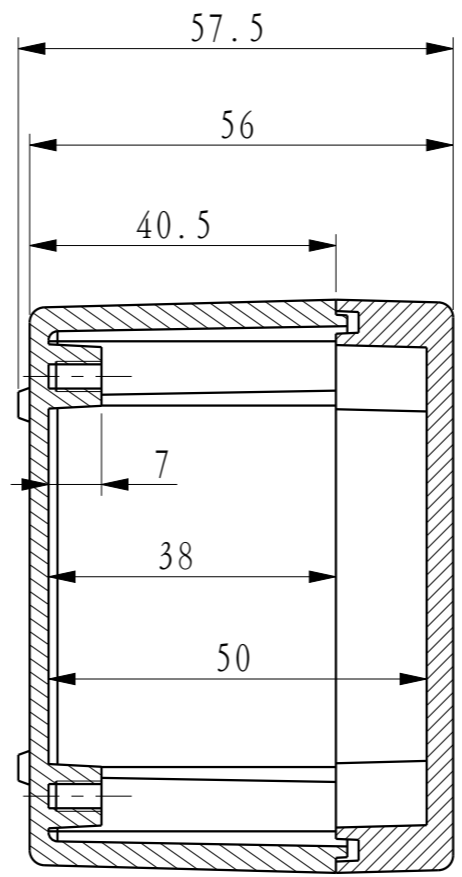


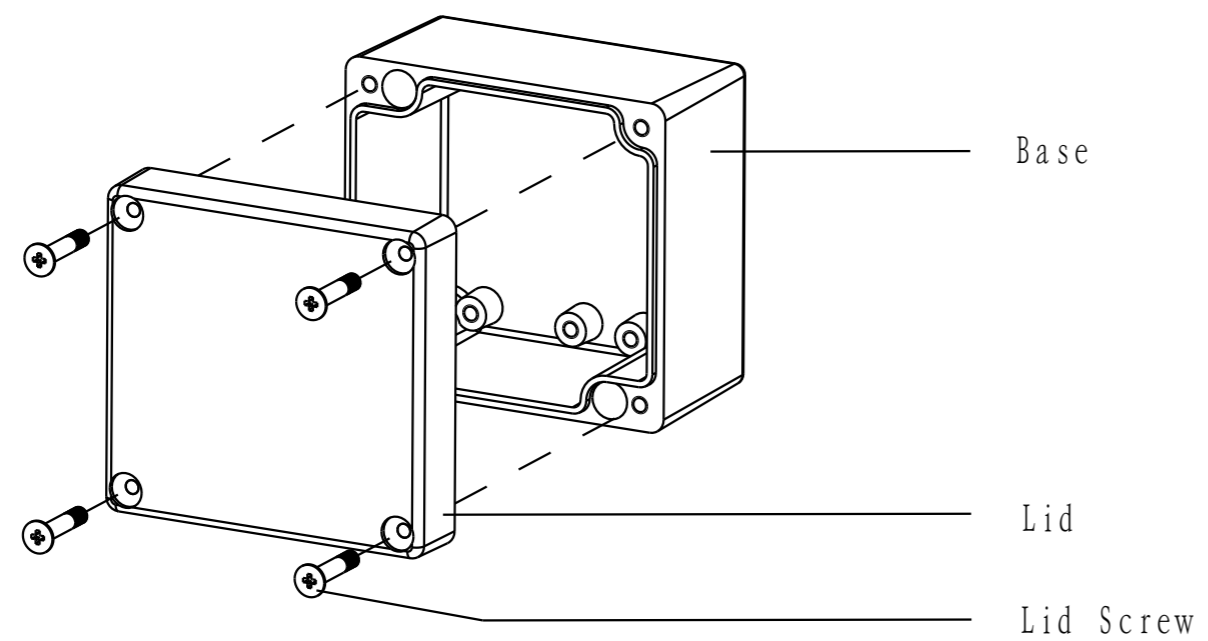
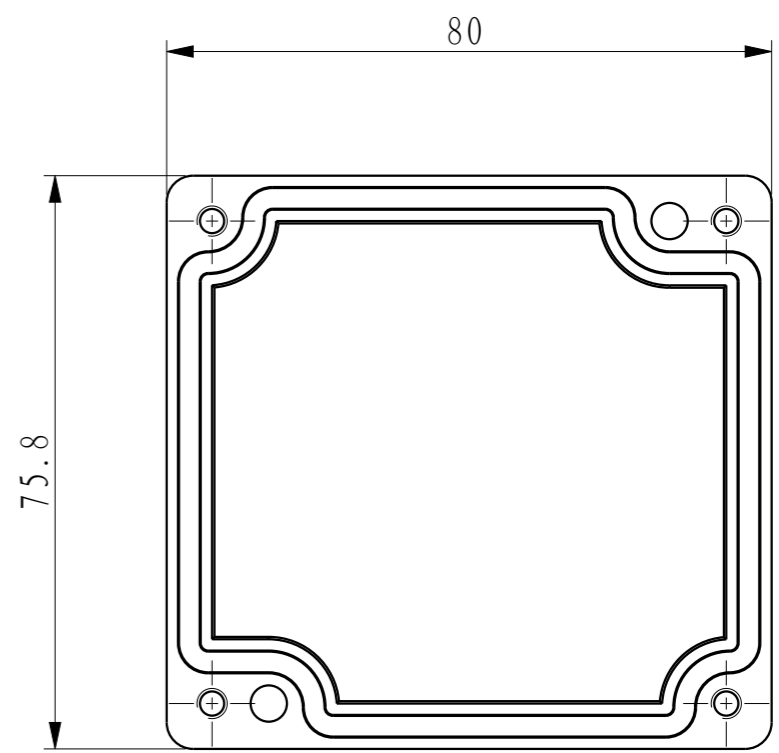
PROPRIETARY INFORMATION			REVISIONS					
THIS DRAWING IS THE PROPERTY OF REICON ENCLOSURES. DISCLOSURE OR REPRODUCTION OF THE INFORMATION ON THIS DRAWING IS PROHIBITED WITHOUT PRIOR WRITTEN CONSENT OF REICON ENCLOSURES.			E.C.O.	ZONE	REV.	DESCRIPTION	DATE	BY



Top View With Removed lid



Section View of ASM.



http://www.reicon.com.cn	MATERIAL	AlSi12	APPROVALS	DATE	北京瑞康华泰电子设备有限公司 REICON BEIJING REICON ELECTRONICS EQUIPMENT CO., LTD.
	COLOR	Grey	DRAWN		
DO NOT SCALE DRAWING 部分图元可能未按比例绘制	THIS DRAWING IS ONLY FOR YOUR REFERENCE 图上尺寸仅供参考, 请以实际产品为准		CHECKED		TITLE
	DIMENSIONS ARE IN MILLIMETER		CUSTOMER		Sealed Aluminum Box
			DWG. NO.	04.005A	REV.
			PROJECTION TYPE	1 OF 1	SHEET
					SIZE
					A3