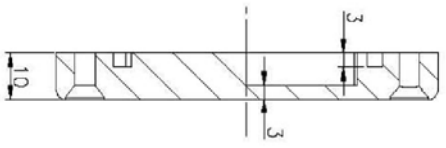
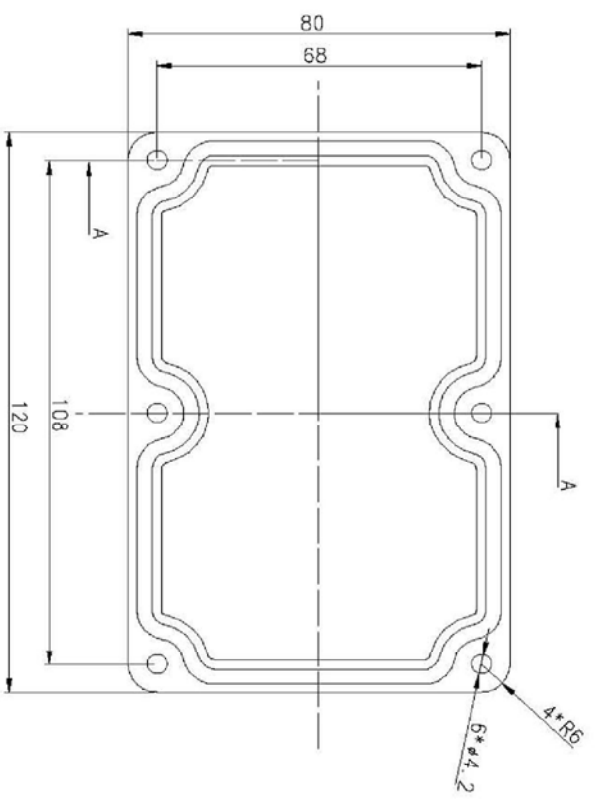
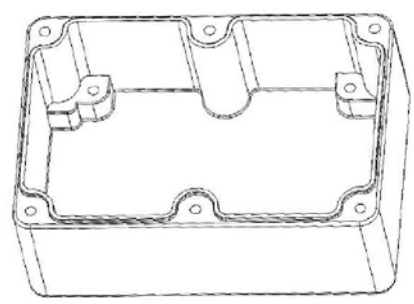
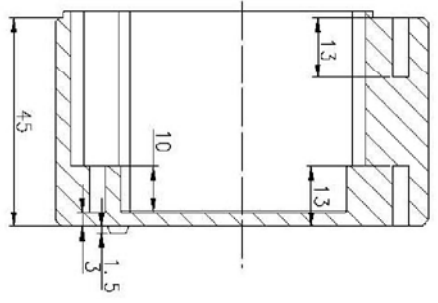
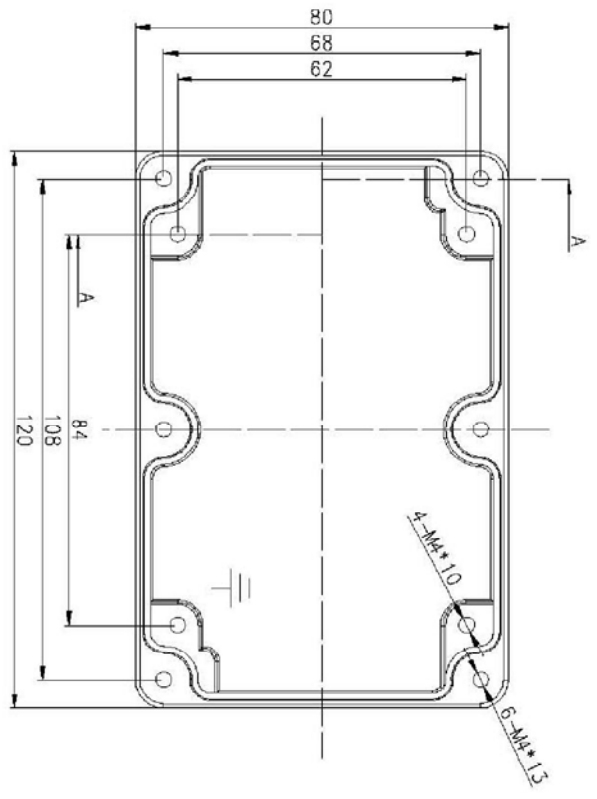


PROPRIETARY INFORMATION				REVISIONS				
THIS DRAWING IS THE PROPERTY OF REICON ENCLOSURES. DISCLOSURE OR REPRODUCTION OF THE INFORMATION ON THIS DRAWING IS PROHIBITED WITHOUT PRIOR WRITTEN CONSENT OF REICON ENCLOSURES.				ECO	ZONE	REV.	DATE	BY



Section A-A.

Cover

Base

http://www.reicon.com.cn		MATERIAL ZL102		APPROVALS DRAWN CHECKED CUSTOMER		DATE	
DO NOT SCALE DRAWING 部分图形可能未按比例绘制		THIS DRAWING IS ONLY FOR YOUR REFERENCE 图上尺寸仅供参考，如有疑问产品为准		COLOR GREY		DIMENSIONS ARE IN MM	
TITLE 北京瑞康华泰电子设备有限公司 BEIJING REICON ELECTRONICS EQUIPMENT CO.,LTD.		DWG. NO. 04.004A		PROJECTION TYPE		SHEET 1 OF 1	
DIE-CAST JUNCTION BOXES		REV.		SIZE A2			