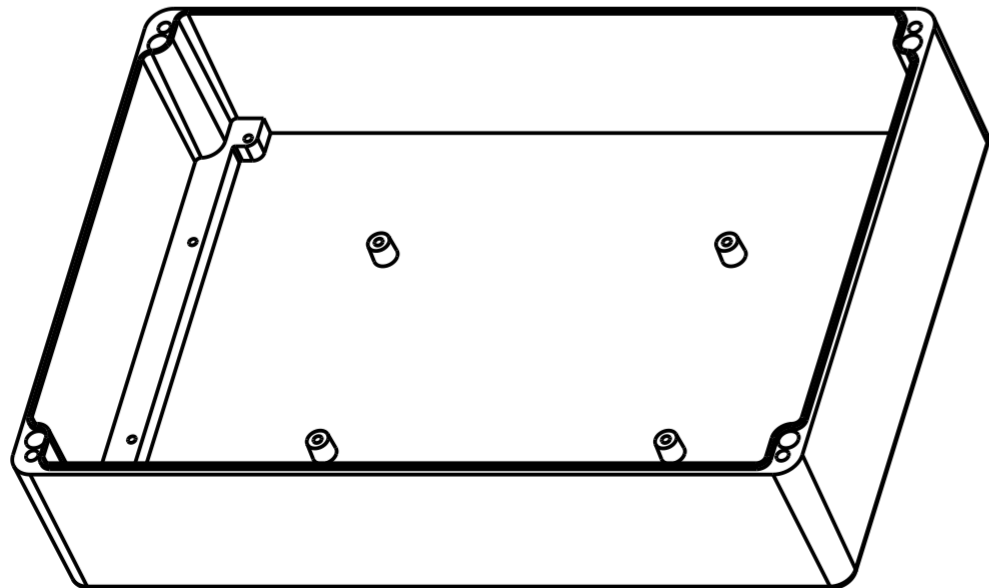
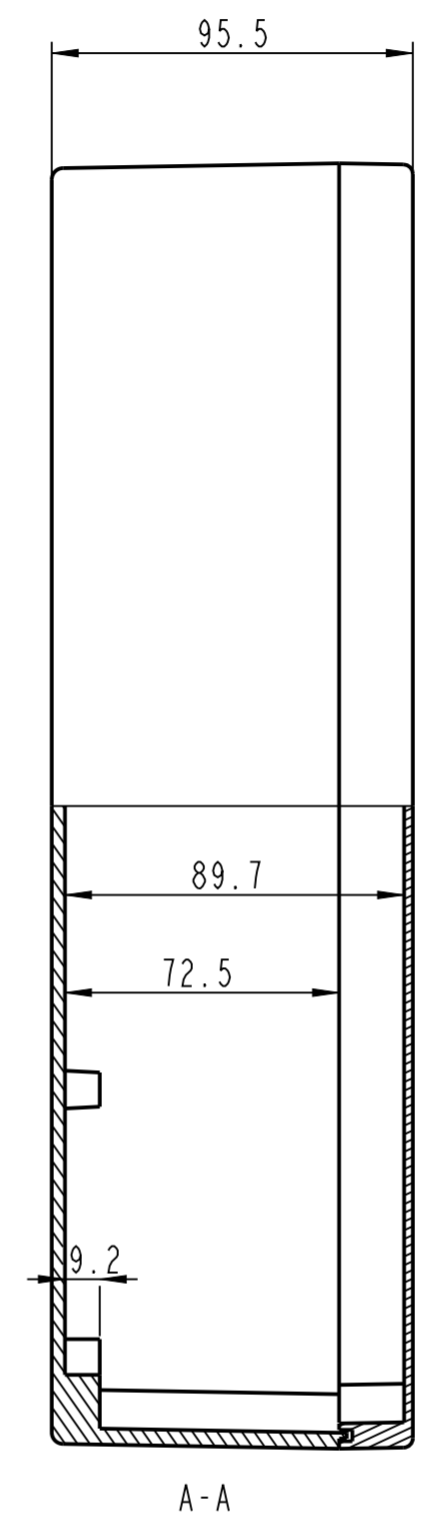
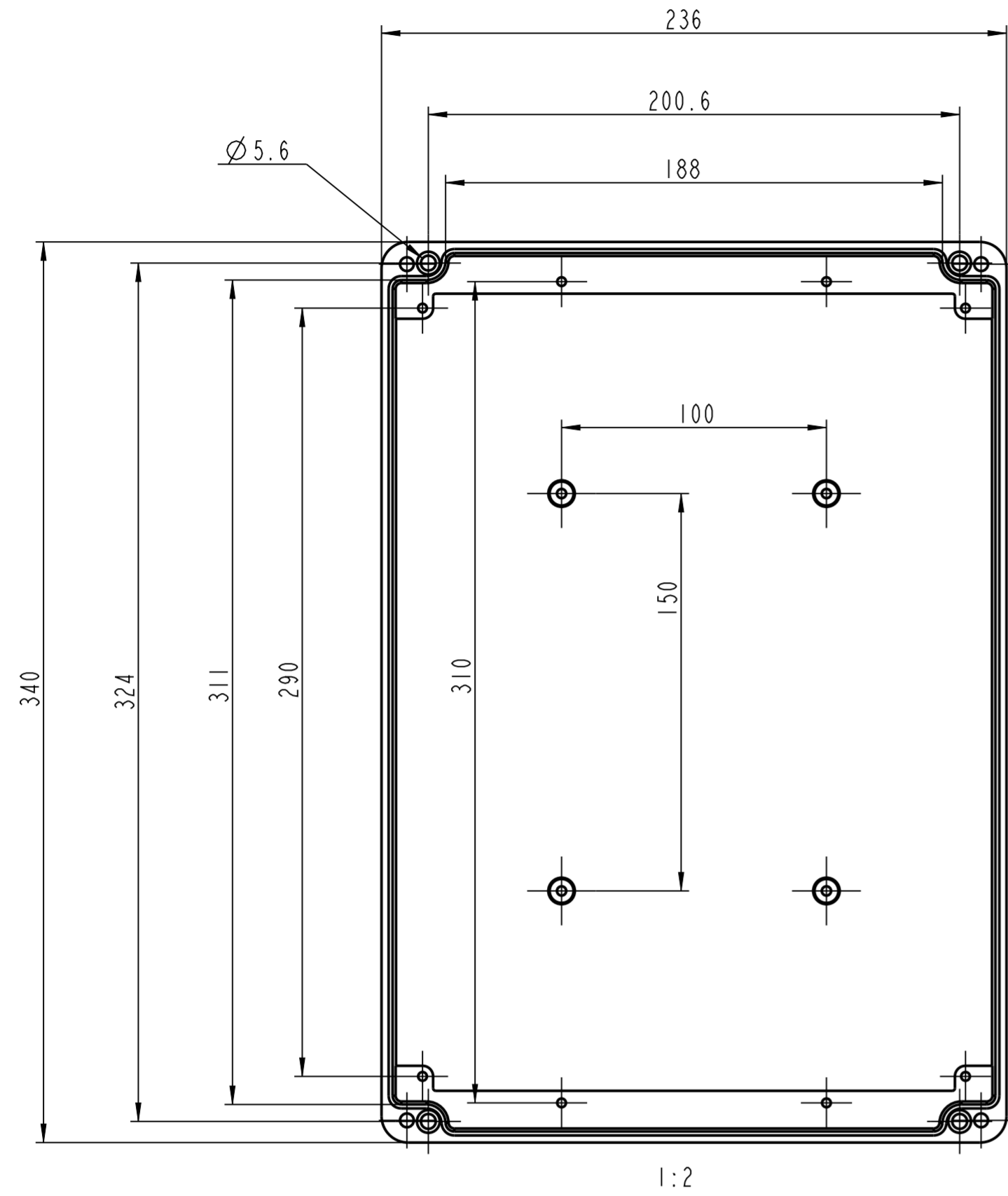


PROPRIETARY INFORMATION				REVISIONS					
THIS DRAWING IS THE PROPERTY OF BOXTECH ELECTRICAL. DISCLOSURE OR REPRODUCTION OF THE INFORMATION ON THIS DRAWING IS PROHIBITED WITHOUT PRIOR WRITTEN CONSENT OF BOXTECH ELECTRICAL.				E.C.O.	ZONE	REV.	DESCRIPTION	DATE	BY



BOXTECH [®]	MATERIAL	APPROVALS	DATE	重庆博新泰克电气有限公司 ChungKing BoxTech Electrical Co., Ltd.
	COLOR	CHECKED	CUSTOMER	
DO NOT SCALE DRAWING 部分图元可能未按比例绘制	THIS DRAWING IS ONLY FOR YOUR REFERENCE 图上尺寸仅供参考 请以实际产品为准	DIMENSIONS ARE IN MILLIMETER		DWG. NO. 04.072A
				PROJECTION TYPE
				SHEET 1 OF 1
				REV. SIZE A2